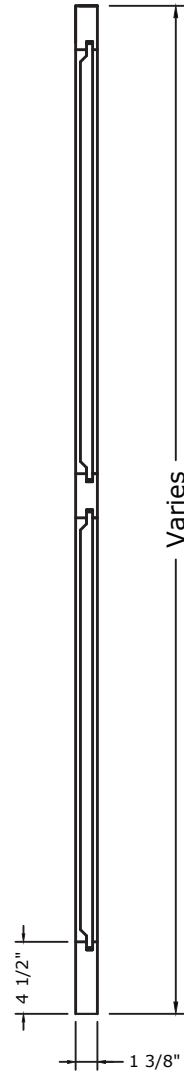
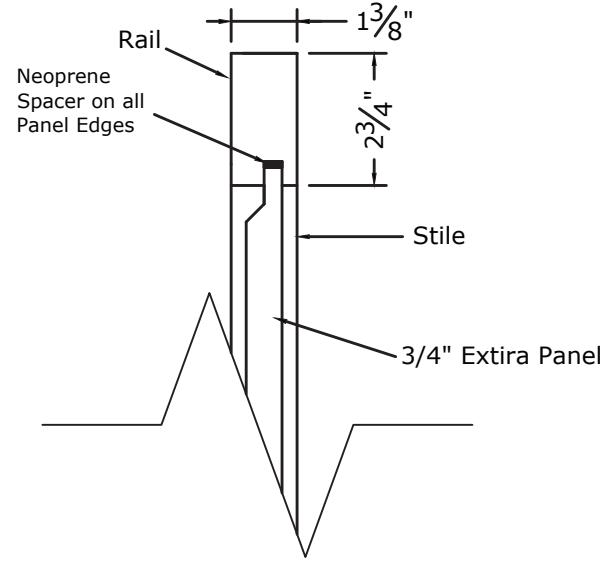


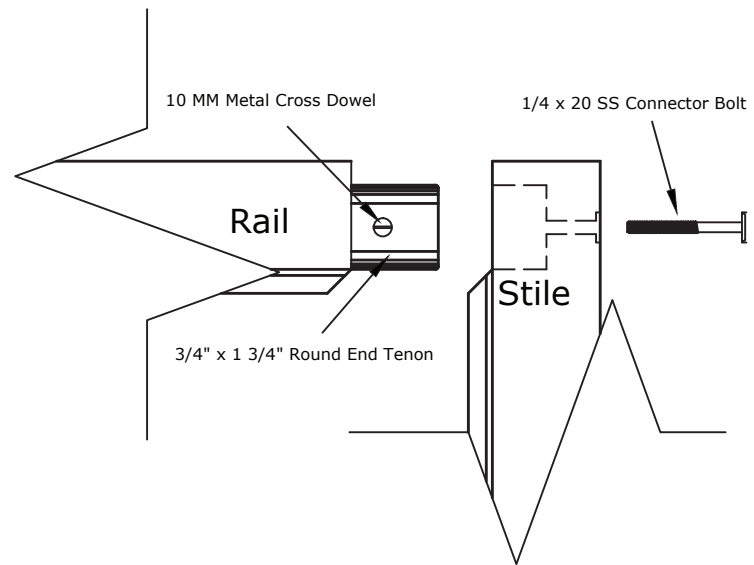
1 Front



2 Stile Section



3 Panel Section



4 Mortise And Tenon

Product Line: Harmony

Style: Frame and Plank

Variation: Two Panel Qtr Top

Shutter Revolution

Innovation In Shutter Creation