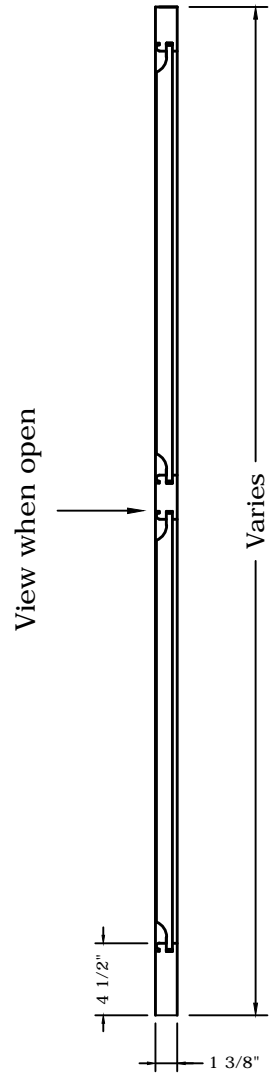
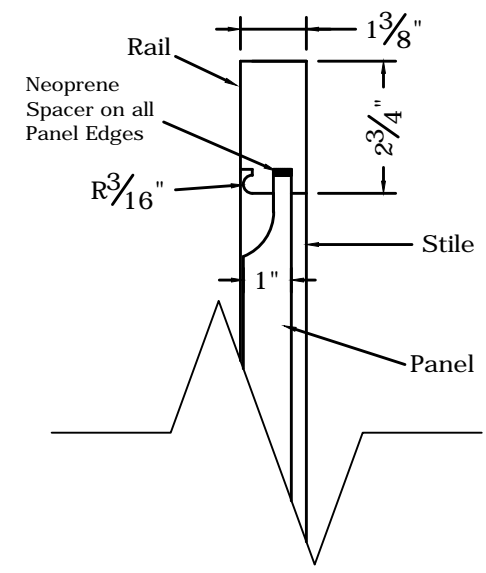


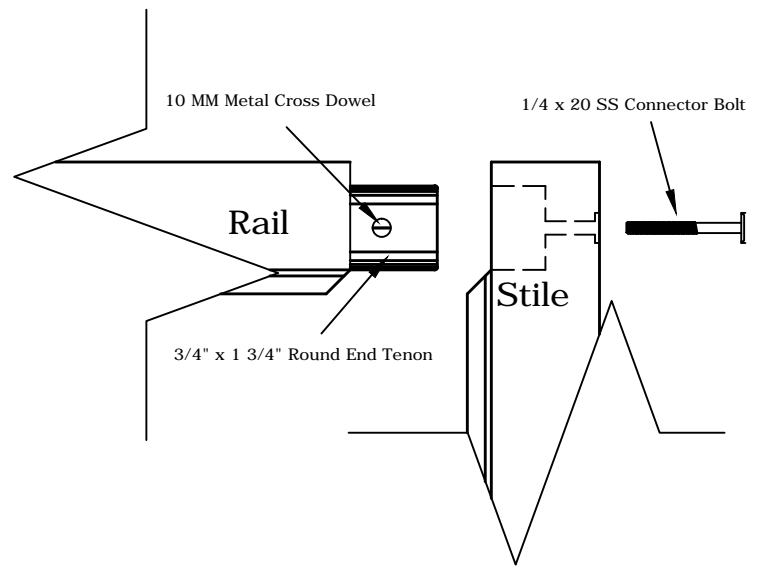
1 Front




2 Stile Section



3 Panel Section



4 Mortise And Tenon

Product Line:	Harmony
Style:	Raised Panel
Variation:	Two Panel
 <i>Innovation In Shutter Creation</i>	